

## Standard Preparation Corner Wall Cupboard with 1 Hinged Door

ITEM # \_\_\_\_\_

MODEL # \_\_\_\_\_

NAME # \_\_\_\_\_

SIS # \_\_\_\_\_

AIA # \_\_\_\_\_


**132829 (PAB800LCN)**

 Wall Cupboard with 1 shelf  
 and 1 hinged door for  
 Corner Type

### Short Form Specification

**Item No.** \_\_\_\_\_

Constructed in stainless steel. Back and bottom are made from a single bended stainless steel sheet for easier cleaning. Uprturned panel edges. Base shelf and height-adjustable intermediate shelf. Double-walled hinged door. Loading capacity: 80kg.

### Main Features

- Handles in stainless steel for better hygiene and reliability.
- Sturdiness, stability and reliability of table accurately tested.

### Construction

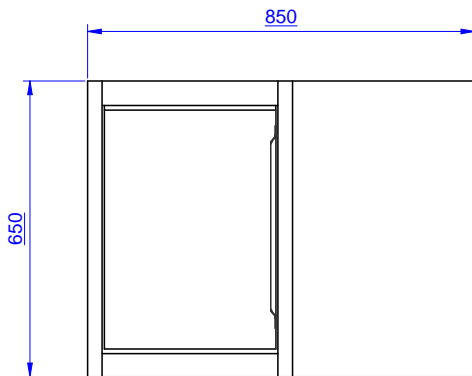
- Wall cupboard features an ergonomic handle and an internal shelf which can be positioned at three different levels.
- Hinged door with sound deadening internal panels, fitted with 304 AISI stainless steel hinges on the inner sides.
- 100 mm upstand with 10 mm radiused corner and 13 mm deep, designed to be used against a wall.
- Scotch Brite finish to meet the highest hygiene standards.

### Optional Accessories

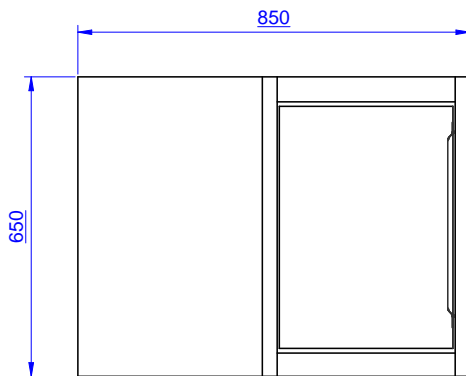
- Lighting kit with led for wall cupboards (1000mm and 1200mm) PNC 850709
- Lighting kit with led for wall cupboards (1400mm, 1600mm and 1800mm) PNC 850710

**APPROVAL:** \_\_\_\_\_

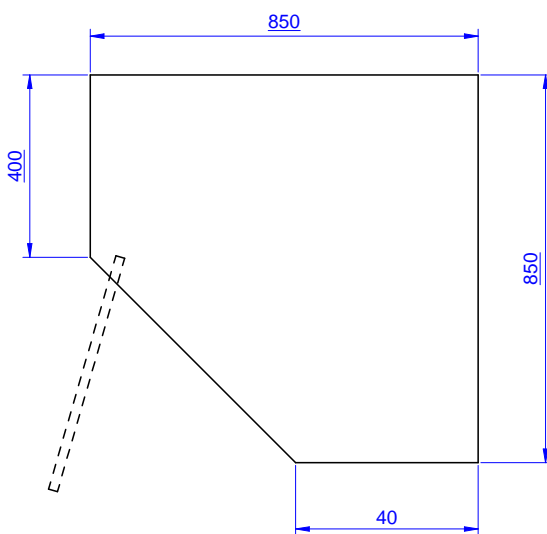
Front



Side



Top



### Key Information:

N° of doors:	1
132829 (PAB800LCN)	
External dimensions, Width:	850 mm
External dimensions, Depth:	850 mm
External dimensions, Height:	650 mm